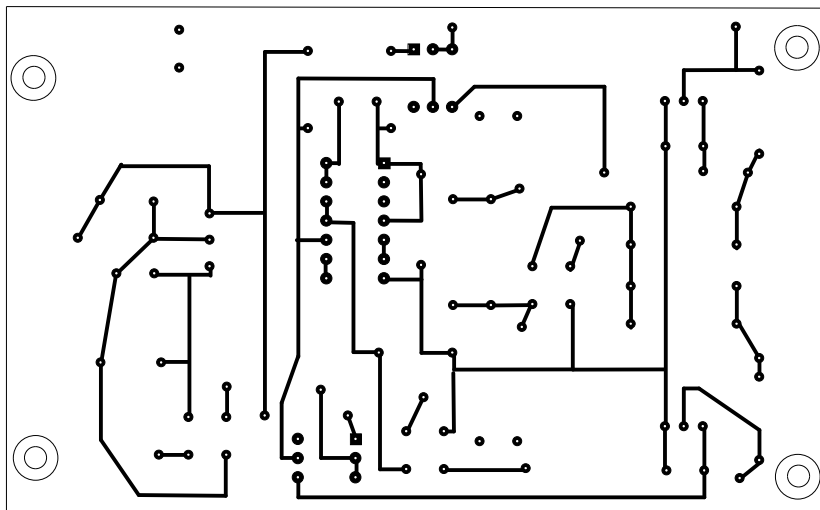
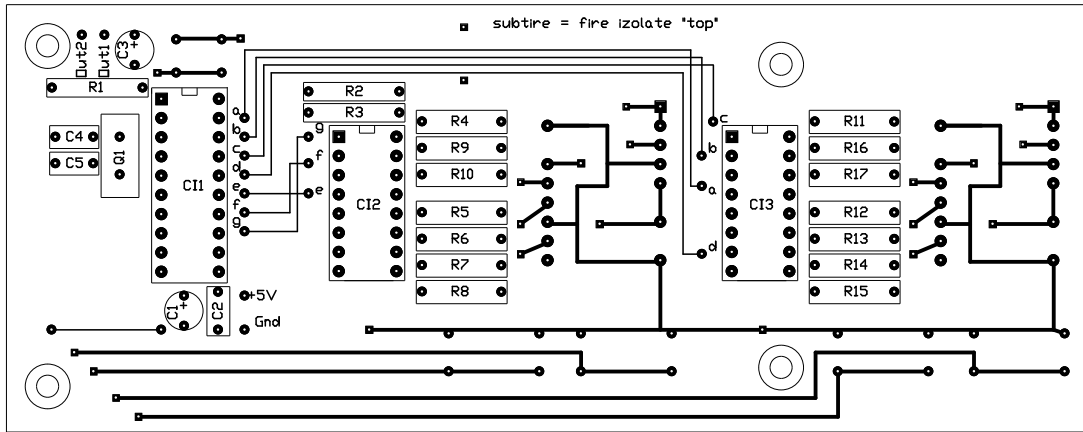


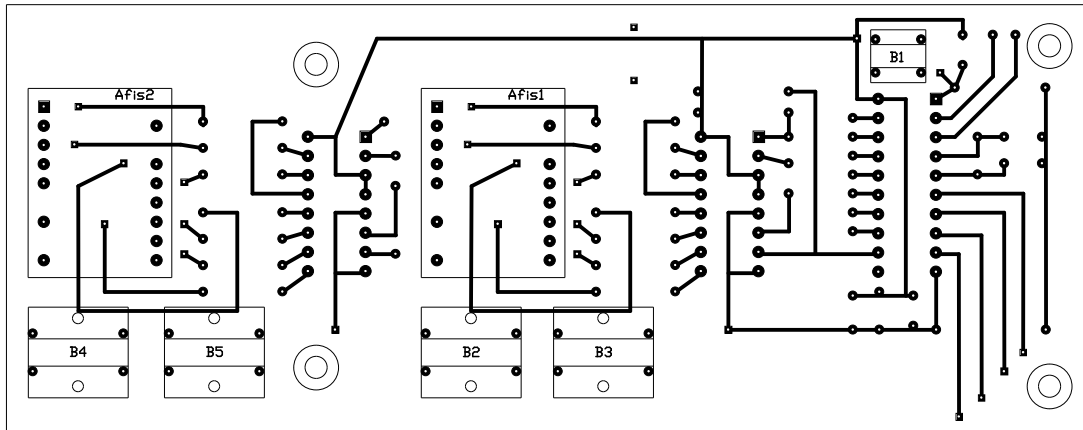
Statie de lipit cu 2 canale - PCB circuit putere (Top)



Statie de lipit cu 2 canale - PCB circuit putere (Bottom, mirrored)



Statie de lipit cu 2 canale - PCB circuit comanda (Top)



Statie de lipit cu 2 canale - PCB circuit comanda (Bottom, mirrored)